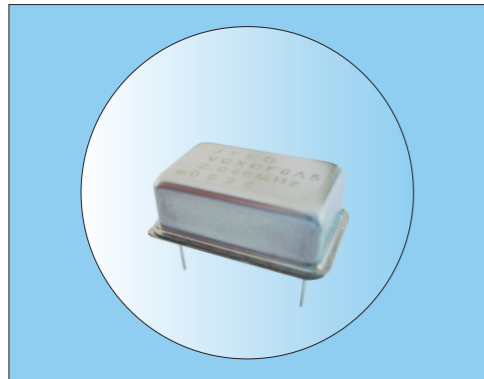


Crystal Oscillators

Voltage Controlled Crystal Oscillator/VCXO-14



Features

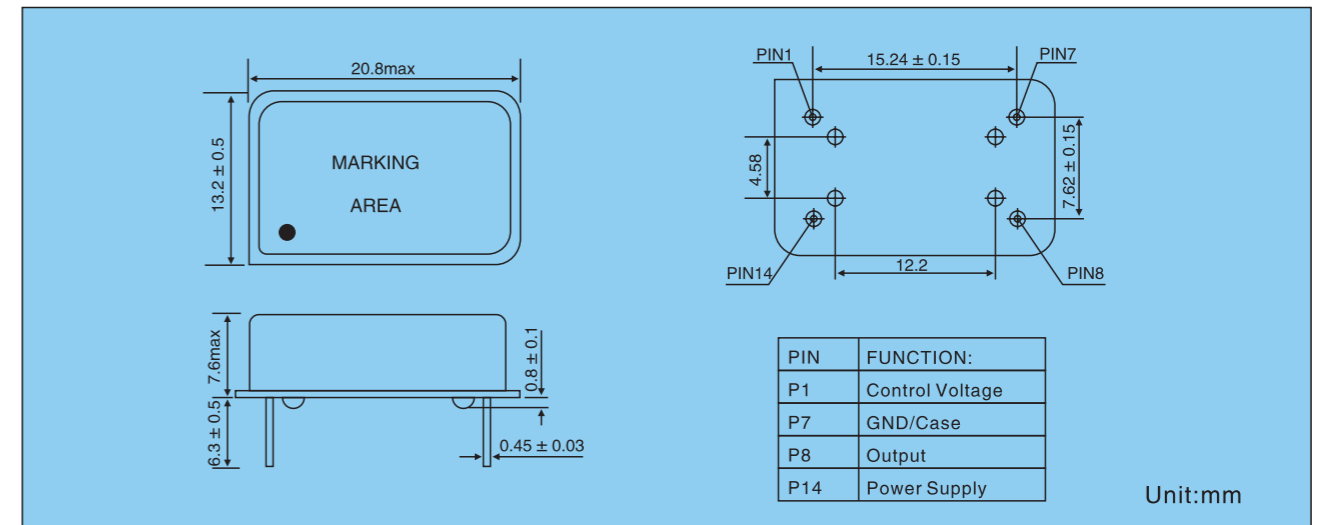
- JYEG part number: JYVC14
- Wide Frequency Range up to 125MHz
- HCMOS, LVCMOS, Sine Wave
- APPLICATIONS:
SDH/SONET, ATM, PLL Circuits
Measurement Equipment

TYPICAL SPECIFICATIONS

Type	VC14
Frequency Range	2~125MHz
Operating Temperature Range	-40~+85°C
Absolute Pulling Range	±75ppm Min., ±100ppm Min.
Output Waveform and Load Characteristics	Sine Wave, HCMOS, LVCMOS
Control Voltage Range	0.1~0.9VDD
Center Voltage	0.5VDD
Linearity	< ±10%
Input Impedance	≥50k ohm
Modulation Bandwidth	Customer Specify
Supply Voltage	+3.3VDC, +5.0VDC, ±5%
Supply Current	<40MHz, 25mA(Max.) ; <125MHz, 40mA(Max.)
Package	DIP14
Storage Temperature Range	-40~+100°C

Crystal Oscillators

VCXO-14

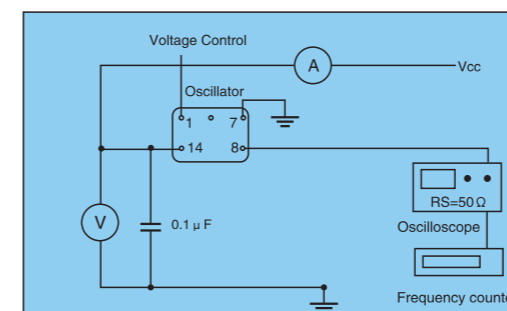


OUTPUT WAVEFORM AND LOAD CHARACTERISTICS

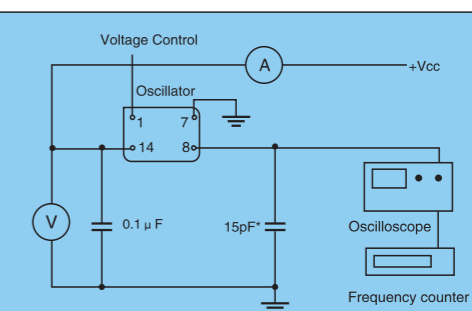
Output Waveform	Sine Wave
Output Characteristics	Load: Nominal 50Ω Output level: > 5dBm Harmonic Suppression: < -25dB

Output Waveform	HCMOS/LVCMOS
Output Characteristics	Load: 15PF typical, 50PF available "1" level: > 0.9VDD; "0" level: < 0.1VDD Duty cycle: 40/60

Test Circuit-Sine Wave



Test Circuit-CMOS



* inclusive of jigging and equipment capacitance*