

# SAW Filter 2350MHz 100MHz BW SMD1.1x0.9mm

MODEL NO.:TA1969A

REV. NO.:2

## A. MAXIMUM RATING:

1. Input Power Level: 10dBm
2. DC Voltage : 0V
3. Operating Temperature: -30°C to +85°C
4. Storage Temperature: -40°C to +85°C
5. Moisture Sensitivity Level: Level 3
6. ESD 50V(MM) 100V(HBM)

RoHS Compliant  
Lead free  
Lead-free soldering

**Electrostatic Sensitive Device (ESD)**

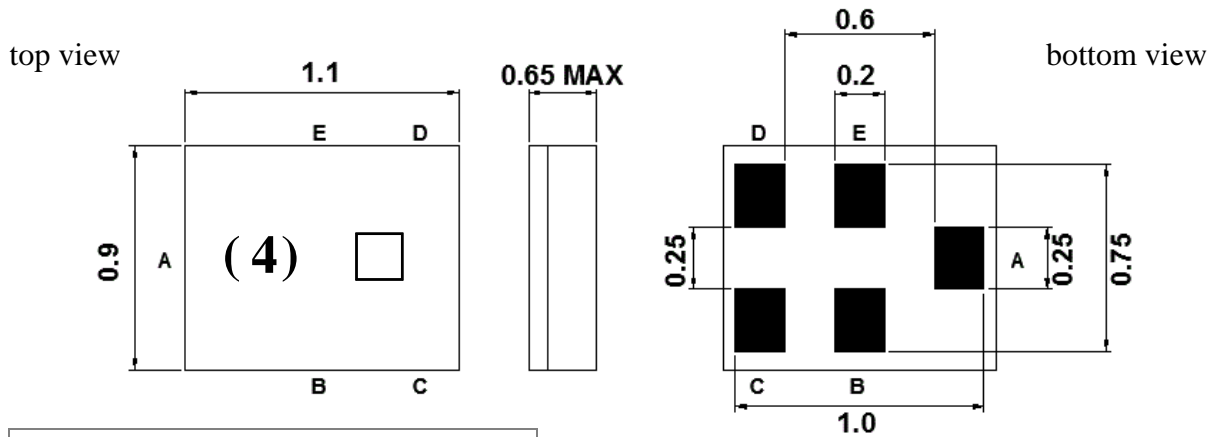
## B. ELECTRICAL CHARACTERISTICS:

Terminating source impedance :  $Z_s = 50 \Omega$

Terminating load impedance :  $Z_L = 50 \Omega$

Item	Unit	Min.	Typ.	Max.	Note
<b>Center Frequency</b> <span style="float: right;"><b>Fc</b></span>	MHz	-	2350	-	-
<b>Insertion Loss</b> (2300~2400 MHz)	dB	-	1.9	2.8	-
<b>Amplitude ripple</b> (2300~2400 MHz)	dBp-p	-	1.2	2.3	-
<b>VSWR</b> (2300~2400 MHz)		-	1.5	2.0	-
<b>Attenuation</b> (reference level from 0 dB)					
10 ~ 1574 MHz	dB	20	29	-	-
1574 ~ 1577 MHz	dB	20	29		
1577 ~ 1680 MHz	dB	20	27		
1845 ~ 1880 MHz	dB	18	25	-	-
2110 ~ 2170 MHz	dB	18	25	-	-
2240 ~ 2285 MHz	dB	1.5	7	-	-
2415 ~ 2420 MHz	dB	1.5	5	-	-
2420 ~ 2460 MHz	dB	3	6	-	-
2460 ~ 2485 MHz	dB	30	43	-	-
2485 ~ 2500 MHz	dB	30	48		
2500 ~ 3000 MHz	dB	20	26		
4600 ~ 4800 MHz	dB	20	25		
4800 ~ 6000 MHz	dB	18	21		
<b>Temperature Coefficient of Frequency</b>	ppm/°C	-	-36	-	-

### C. OUTLINE DRAWING:



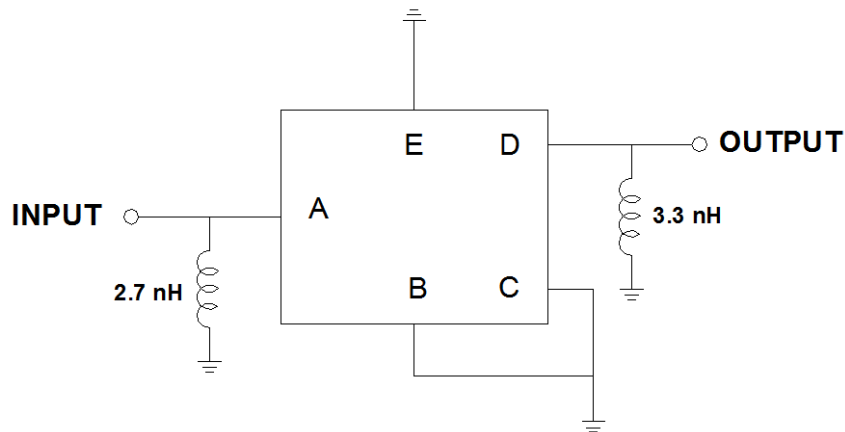
Marking Descriptions	
( 4 )	Series Number
□	Date Code(Year+Month)

Pin Description	
B, C, E	Ground
A	Input
D	Output

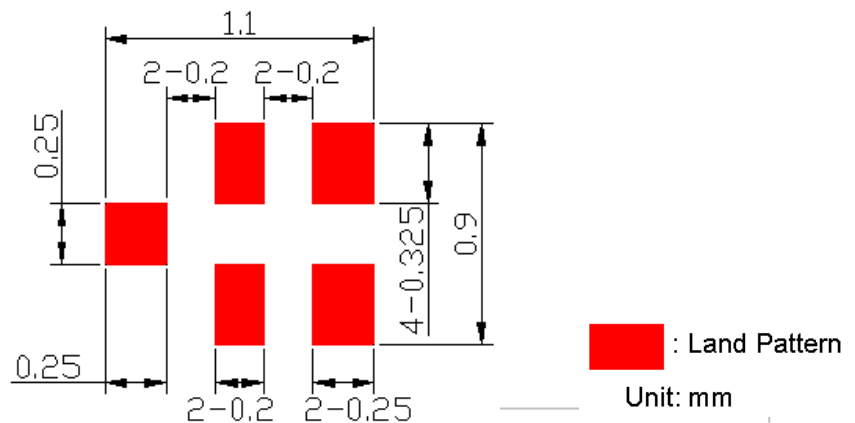
□ : Year/Month Code (Follow the table)

YEAR/Month	1	2	3	4	5	6	7	8	9	10	11	12
2013	A	B	C	D	E	F	G	H	J	K	L	M
2014	N	P	Q	R	S	T	U	V	W	X	Y	Z
2015	a	b	c	d	e	f	g	h	j	k	l	m
2016	n	p	q	r	s	t	u	v	w	x	y	z
2017	<u>A</u>	<u>B</u>	<u>C</u>	<u>D</u>	<u>E</u>	<u>F</u>	<u>G</u>	<u>H</u>	<u>J</u>	<u>K</u>	<u>L</u>	<u>M</u>
2018	<u>N</u>	<u>P</u>	<u>Q</u>	<u>R</u>	<u>S</u>	<u>T</u>	<u>U</u>	<u>V</u>	<u>W</u>	<u>X</u>	<u>Y</u>	<u>Z</u>

### D. MEASUREMENT CIRCUIT:

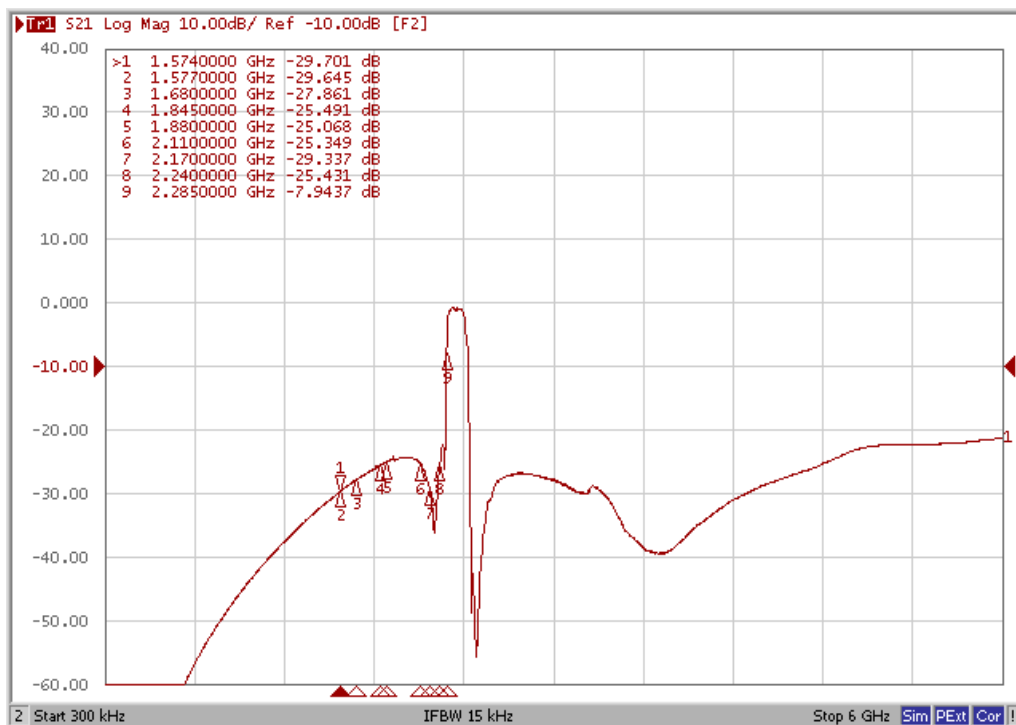
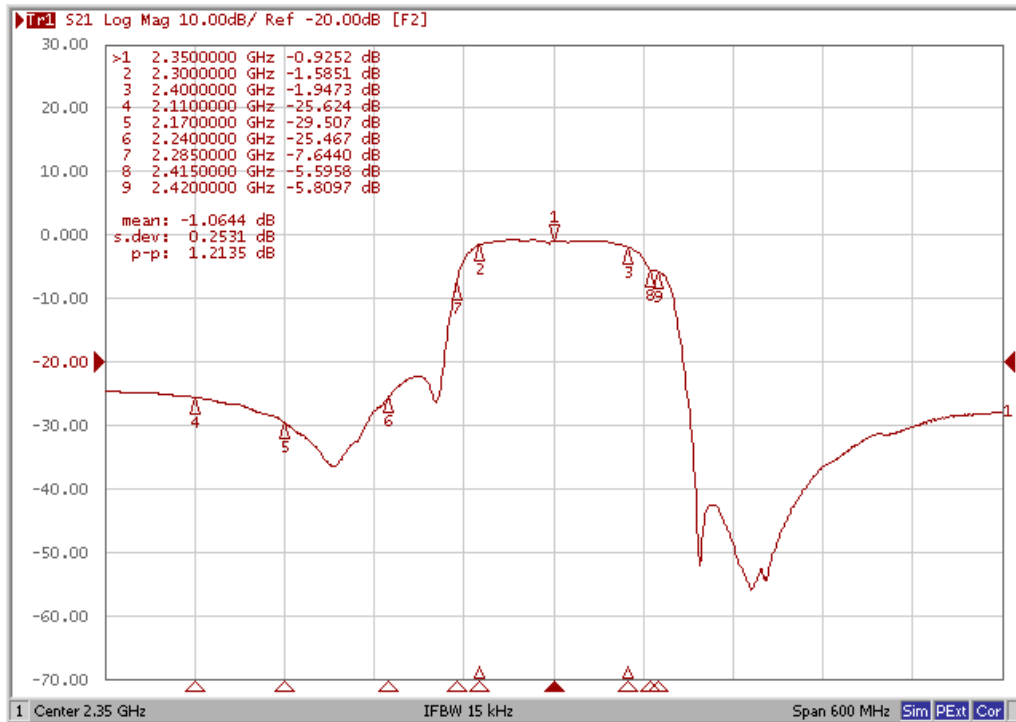


### E. PCB Footprint :



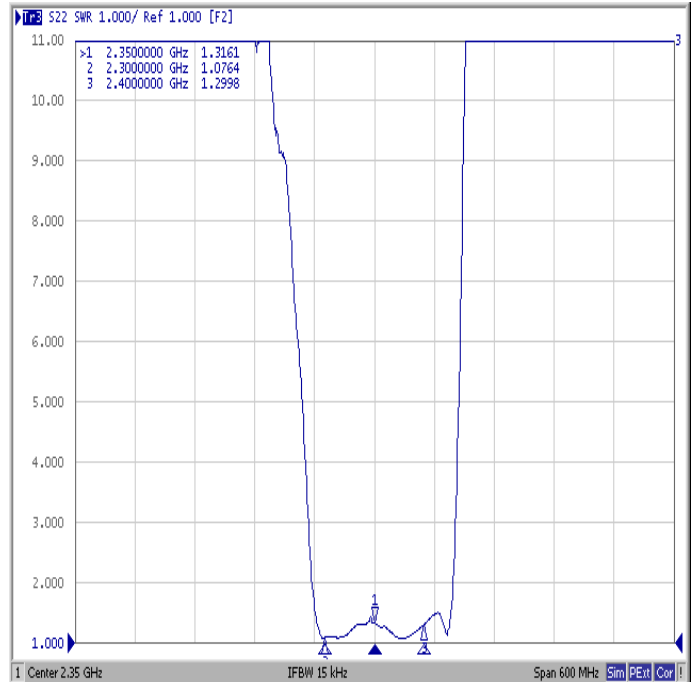
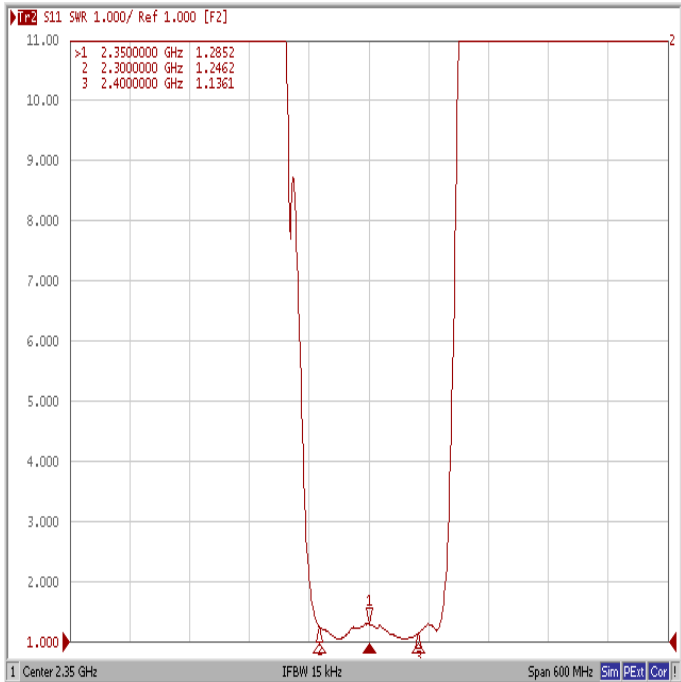
## F. Frequency Characteristics :

### Frequency Response

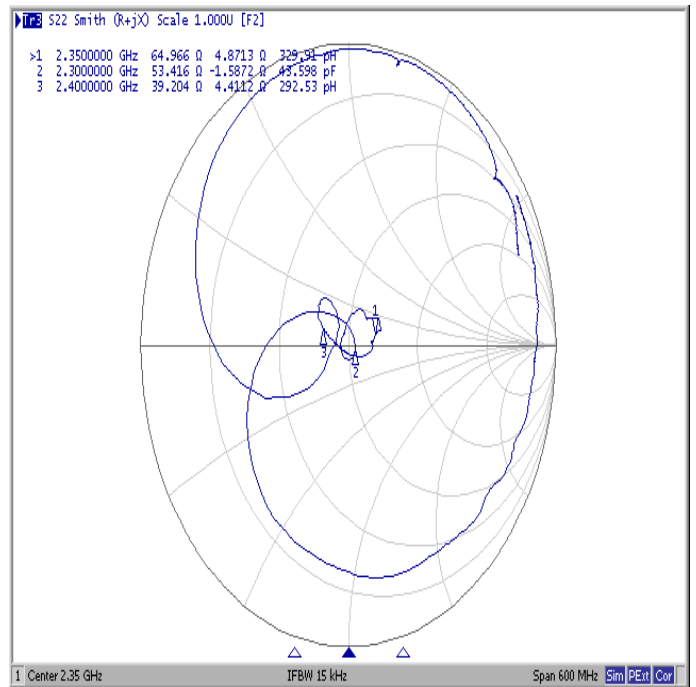
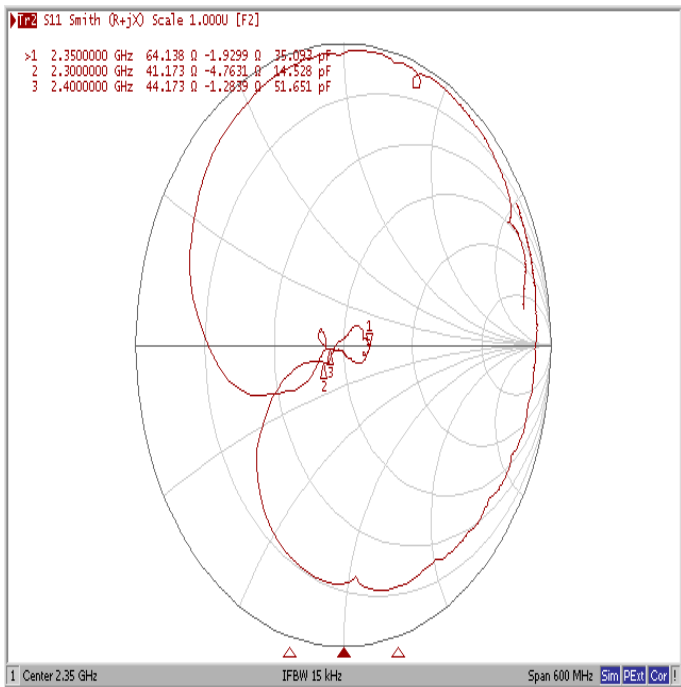


# Reflection Functions :

## VSWR



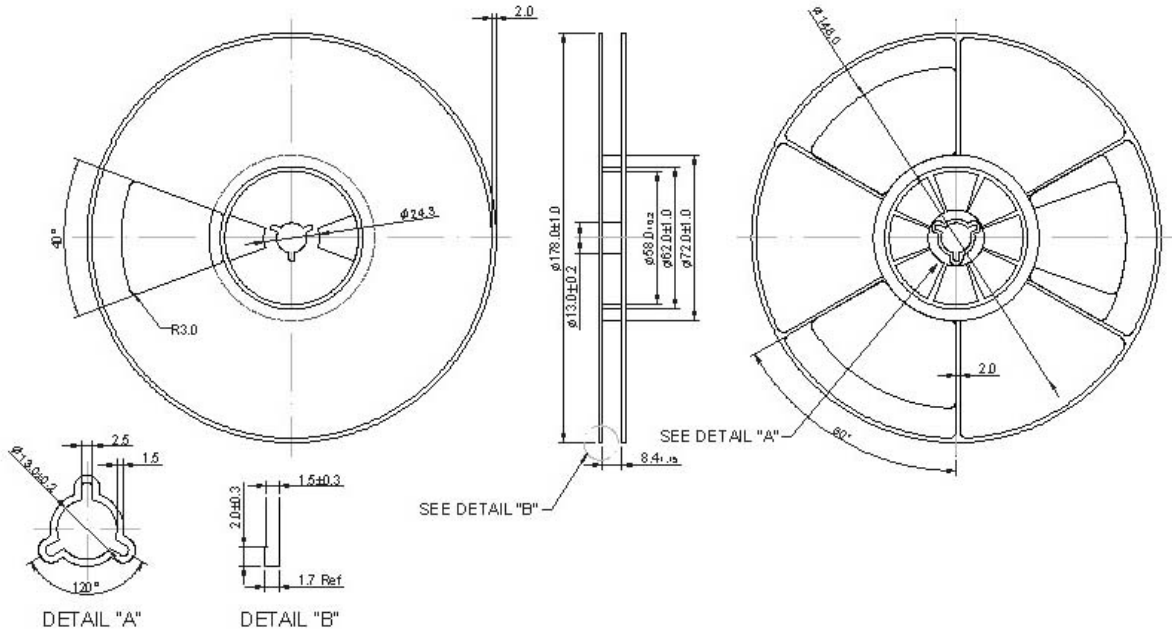
## Smith Chart



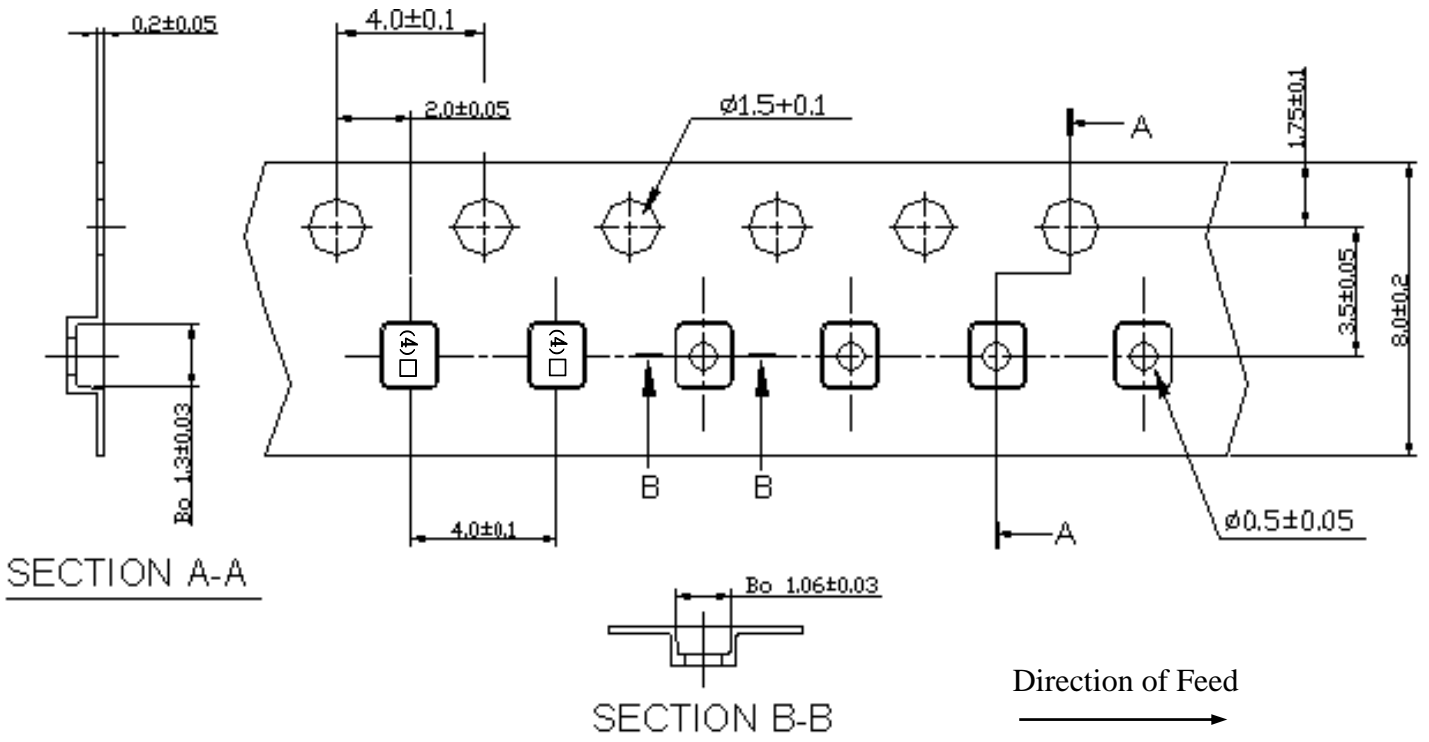
**G. PACKING:**

**1. REEL DIMENSION**

(Please refer to FR-75D10 for packing quantity)



**2. TAPE DIMENSION**



## H. RECOMMENDED REFLOW PROFILE :

1. Preheating shall be fixed at 150~180°C for 60~90 seconds.
2. Ascending time to preheating temperature 150°C shall be 30 seconds min.
3. Heating shall be fixed at 220°C for 50~80 seconds and at 260°C+0/-5°C peak (20~40sec).
4. Time: 2 times.

