



TAI-SAW TECHNOLOGY CO., LTD.

No. 3, Industrial 2nd Rd., Ping-Chen Industrial District,
Taoyuan, 324, Taiwan, R.O.C.

TEL: 886-3-4690038 FAX: 886-3-4697532

E-mail: tstsales@mail.taisaw.com Web: www.taisaw.com

Product Specifications Approval Sheet

Product Name: SAW Filter 1795MHz SMD 3.0X3.0 mm (BW=15MHz)

TST Parts No.: TA0798A

Customer Parts No.: _____

Customer signature required
Company: _____
Division: _____
Approved by : _____
Date: _____

Checked by: _____ Anne Chen *Anne Chen*

Approval by: _____ Andy Yu *Andy Yu*

Date: _____ 2018/12/10

1. Customer signed back is required before TST can proceed with sample build and receive orders.
2. Orders received without customer signed back will be regarded as agreement on the specifications.
3. Any specifications changes must be approved upon by both parties and a new revision of specifications shall be released to reflect the changes.

TST TAI-SAW TECHNOLOGY CO., LTD.

No. 3, Industrial 2nd Rd., Ping-Chen Industrial District,
Taoyuan, 324, Taiwan, R.O.C.

TEL: 886-3-4690038 FAX: 886-3-4697532

E-mail: tstsales@mail.taisaw.com Web: www.taisaw.com

SAW Filter 1795 MHz

MODEL NO.: TA0798A

REV. NO : 4.0

A. MAXIMUM RATING:

1. Input Power Level: 10 dB_m
2. DC voltage: 3 V
3. Operating Temperature: : -40°C to +85°C
4. Storage Temperature: -40°C to +85°C
5. Moisture Sensitivity Level: Level 1 (**MSL 1**)

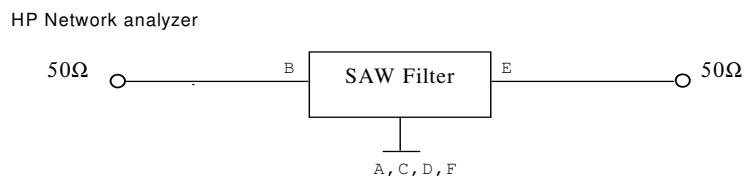
RoHS Compliant
Lead free
Lead-free soldering

Electrostatic Sensitive Device

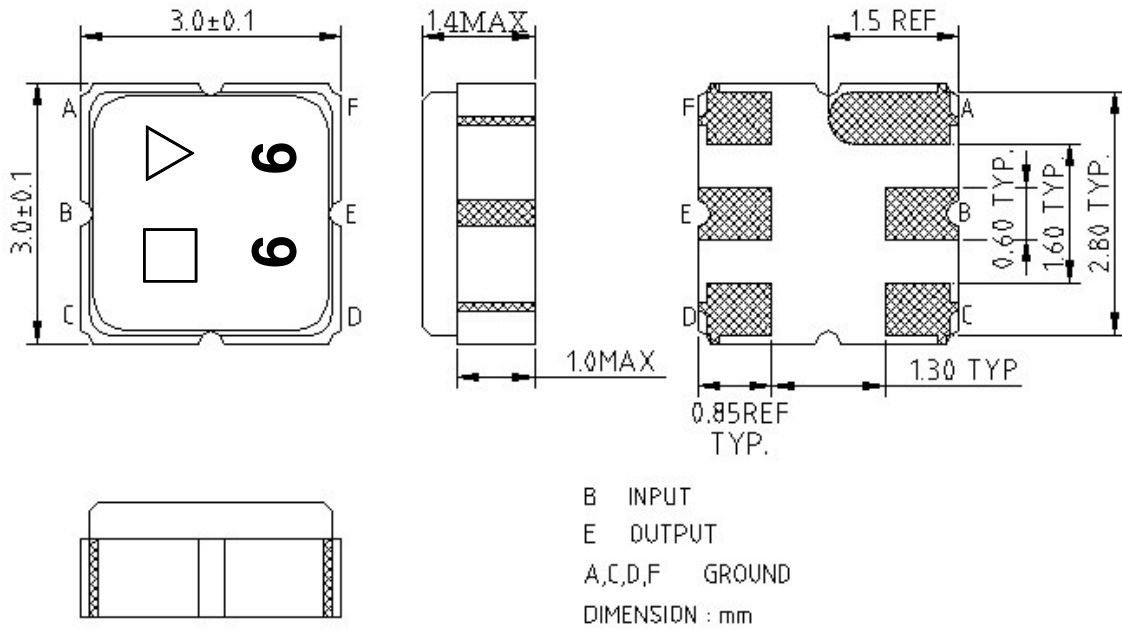
B. ELECTRICAL CHARACTERISTICS:

Item	Unit	Min.	Typ.	Max.
Center frequency F_c	MHz	-	1795	-
Insertion loss within 1787.5 ~1802.5 MHz IL	dB	-	1.5	3.5
Amplitude ripple (p-p) within 1787.5 ~ 1802.5 MHz	dB	-	0.2	2.0
Group Delay (1787.5 ~ 1802.5 MHz)	ns	-	15.0	40.0
Return Loss (1787.5 ~ 1802.5 MHz)	dB	10	15	-
Attenuation (Reference level from 0 dB)				
800 ~ 1730 MHz	dB	30	37	-
1730 ~ 1740 MHz	dB	20	37	-
1740 ~ 1755 MHz	dB	6	17	-
1835 ~ 1845 MHz	dB	6	19	-
1845 ~ 2800 MHz	dB	30	41	-
Source impedance Z_s	Ω	-	50	-
Load impedance Z_L	Ω	-	50	-

C. MEASUREMENT CIRCUIT:



D. OUTLINE DRAWING:



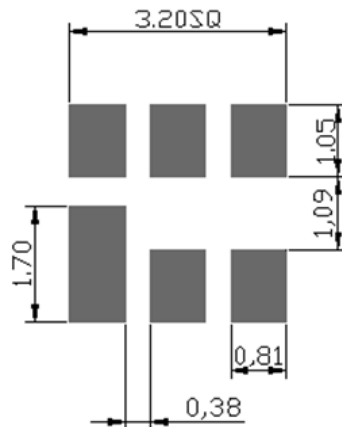
△ : Year Code(2007→7,···2013→3,···,2019→9)

□ : Date Code(Follow the table from planner each year)

Date Code Table:

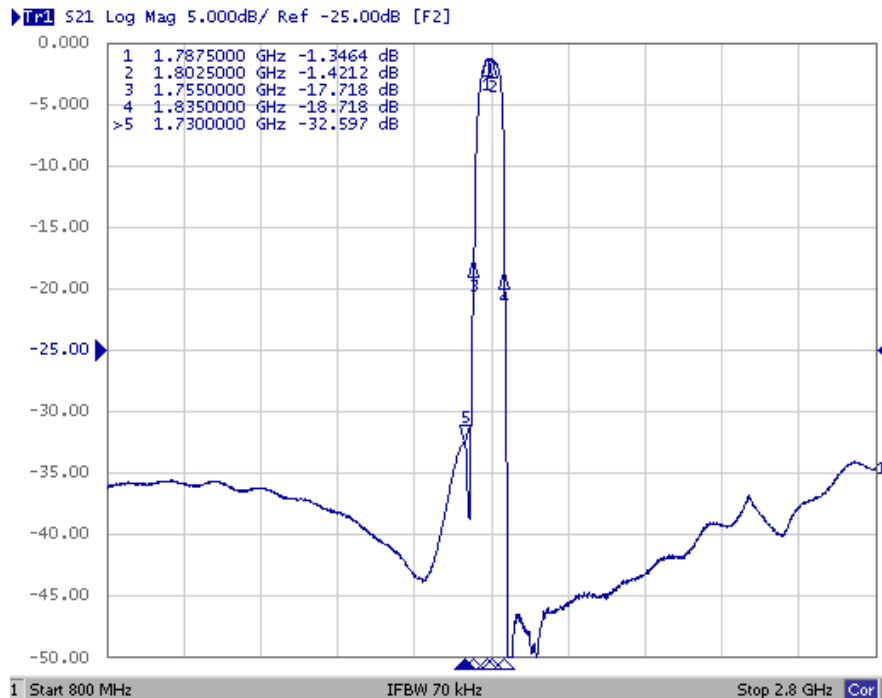
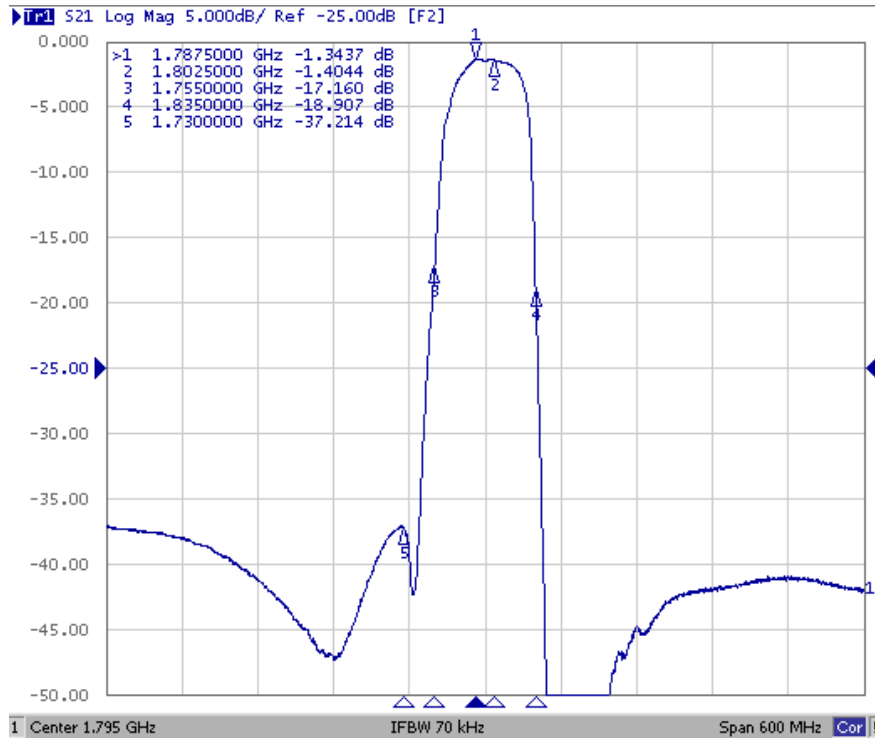
WK01	WK02	WK03	WK04	WK05	WK06	WK07	WK08	WK09	WK10	WK11	WK12	WK13
A	B	C	D	E	F	G	H	I	J	K	L	M
WK14	WK15	WK16	WK17	WK18	WK19	WK20	WK21	WK22	WK23	WK24	WK25	WK26
N	O	P	Q	R	S	T	U	V	W	X	Y	Z
WK27	WK28	WK29	WK30	WK31	WK32	WK33	WK34	WK35	WK36	WK37	WK38	WK39
a	b	c	d	e	f	g	h	i	j	k	l	m
WK40	WK41	WK42	WK43	WK44	WK45	WK46	WK47	WK48	WK49	WK50	WK51	WK52
n	o	p	q	r	s	t	u	v	w	x	y	z

E. PCB FOOTPRINT :

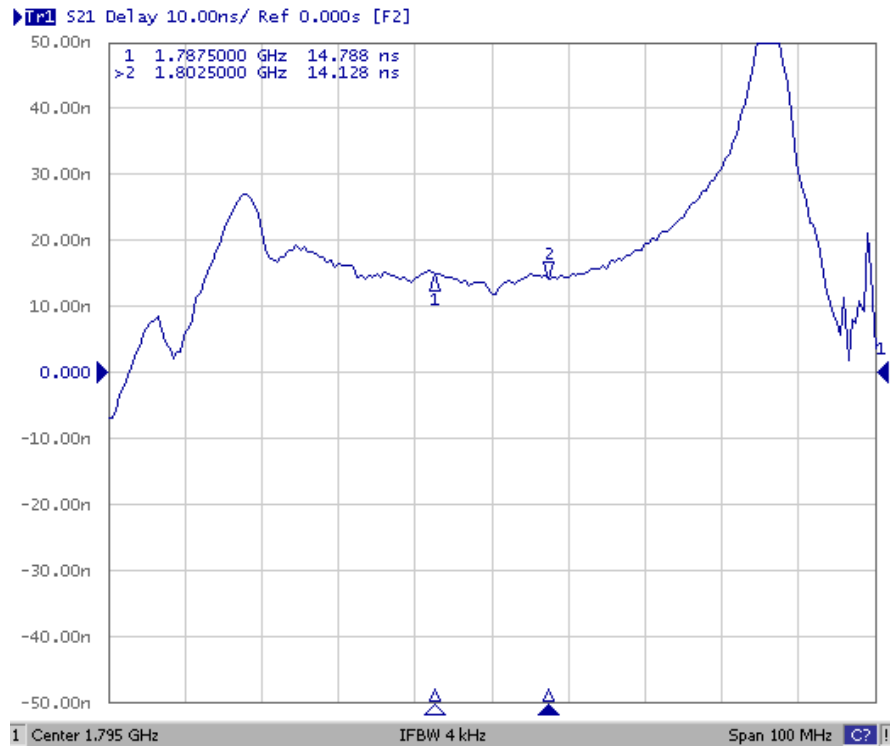


F. FREQUENCY CHARACTERISTICS:

Transfer function



Group Delay



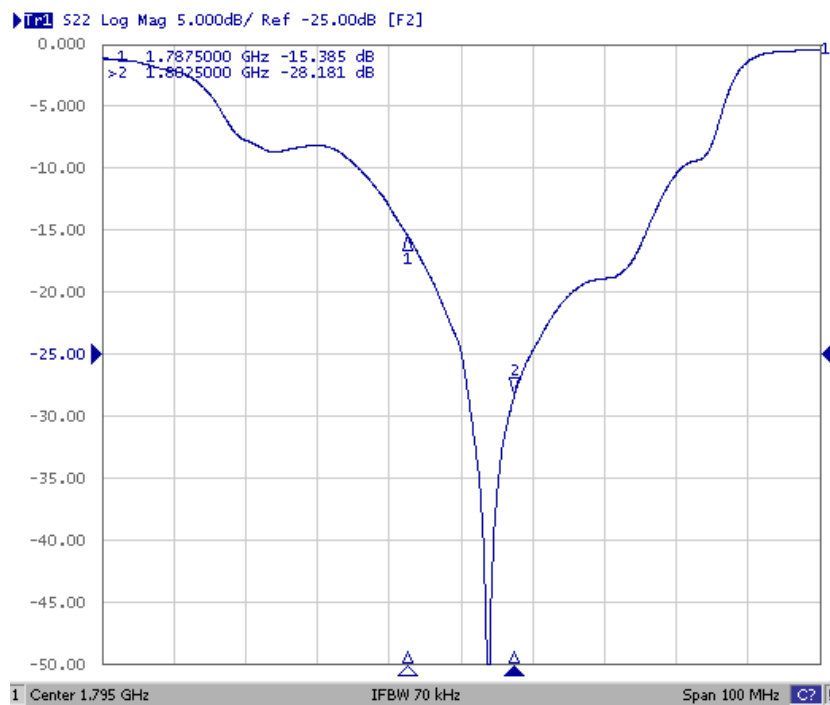
Reflection Functions :

Return Loss

S11



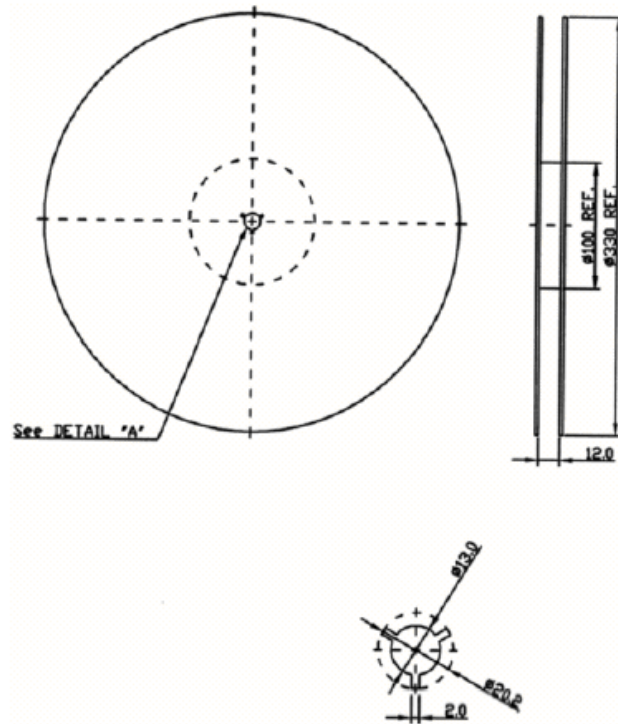
S22



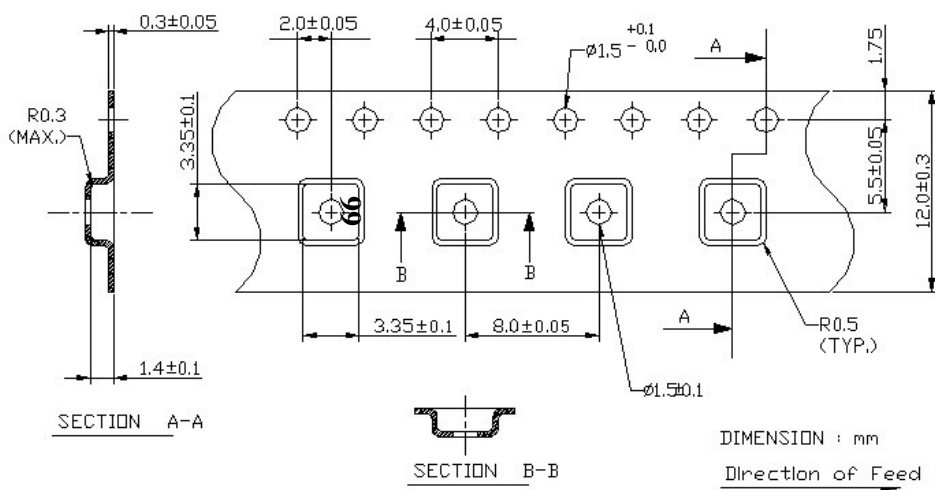
G. PACKING:

1. REEL DIMENSION

(Please refer to FR-75D10 for packing quantity)



2. TAPE DIMENSION



H. RECOMMENDED REFLOW PROFILE:

