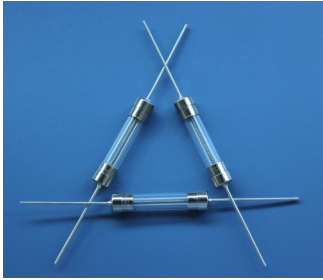
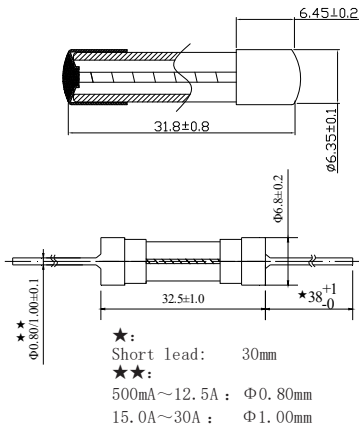


# 612 Miniature cartridge Fuse



Dimensions (unit: mm)



## Main Characteristics

Miniature cartridge fuse; Time-Lag (T)

## Standard

UL248-14 (IEC 60127-2)

## Materials

Tube: Glass Tube  
 End Caps: Nickel plated brass  
 Axial Leads: Nickel plated caps  
 Tin plated copper wires

## Operating Temperature

-55°C to +125°C

## Storage Conditions

+10°C to +60°C  
 Relative humidity: ≤75% yearly average  
 Without dew, maximum 30 days at 95%

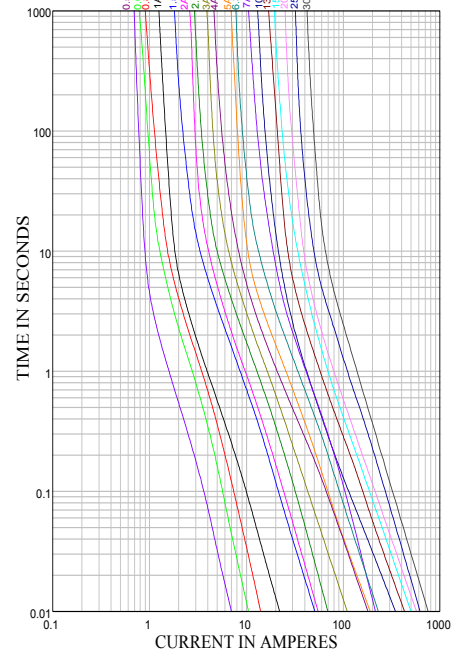
## Vibration Resistance

24 cycles at 15 min. each (60068-6)  
 10-60Hz at 0.75mm amplitude  
 60-2000Hz at 10g acceleration

## Soldering Parameters

260°C. ≤5 sec (Wave Soldering)  
 350°C. ≤3 sec (Hand Soldering)  
 Soldering Peak:  
 260°C. 10 sec. (IEC 60068-20)

Average Time Current(I-T Curve)



Time vs Current Characteristics: UL248-14 GB/T9364.7

Rated current	100%	135%	200%	275%	400%	1000%
500mA ~30A(UL)	>4h	<1h	5s~60s	/	/	/
8A/10A/16A(GB)	>4h	/	<120s	600ms~10s	150ms~3s	20ms~300ms



Electrical Characteristics at 25°C

Amp	Rated Current	Rated Voltage	Nominal Melting I <sup>2</sup> t(A <sup>2</sup> sec)	Typical Cold Resistance (mΩ)	Breaking Capacity	Approvals			
						cULus	cURus	CQC	PSE
0500	500mA	125V AC 250V AC	0.49	1000	10KA@125VAC 35A@250VAC	•	○	○	○
0630	630mA		1.10	840		•	○	○	○
0800	800mA		1.96	517		•	○	○	○
1100	1.00A		4.84	353		•	○	○	○
1125	1.25A		6.76	228		•	○	○	○
1150	1.50A		26.01	210	10KA@125VAC 100A@250VAC	•	○	○	○
1200	2.00A		30.25	124.4		•	○	○	○
1250	2.50A		47.61	74		•	○	○	○
1300	3.00A		121	74.11		•	○	○	○
1315	3.15A		132	76.67		○	○	○	○
1400	4.00A		324	37	10KA@125VAC 200A@250VAC	•	○	○	○
1500	5.00A		361	29.82		•	○	○	○
1600	6.00A		462	19.7		•	○	○	○
1700	7.00A		462	21.06		•	○	○	○
1800	8.00A		676	8.70		•	○	•	○
2100	10.00A		1190	8.30	400A@125VAC 200A@250VAC	○	•	•	○
2120	12.00A		1640	6.84		○	•	○	○
2150	15.00A		2500	5.20		○	•	○	•
2160	16.00A		2601	4.66		○	•	•	○
2200	20.00A		3249	3.30		○	•	○	•
2250	25.00A		7225	2.50	400A@125VAC 100A@250VAC	○	•	○	○
2300	30.00A		8081	2.14		○	•	○	○

- Notes:** 1. Permissible continuous operating current is ≤100% at ambient temperature of 23°C (73.4°F)  
 2. The current values used for calculating I<sup>2</sup>t should be within the standard range of 8ms ~ 10ms.

## Ordering Information

Series	Amp Code	Supplementary Code	Qty
612			